

EasyClean



HIGH EFFICIENCY FILTERS

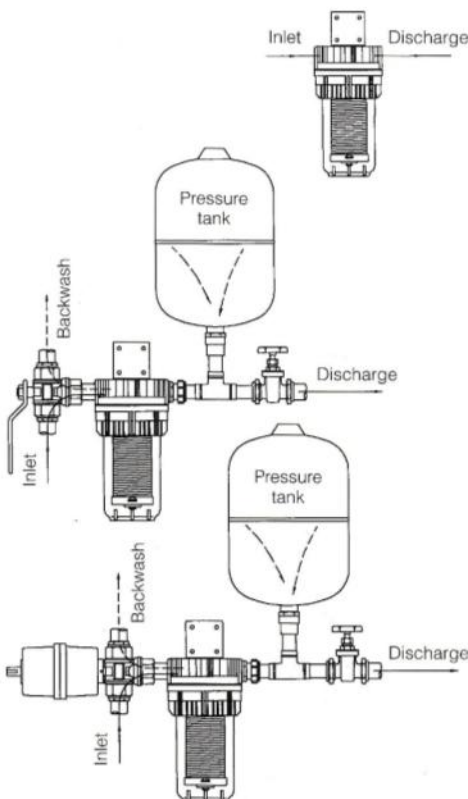


- Low cost
- Absolute filtration from 10 to 400 microns
- Manual, Valve and Automatic options
- Flow rate up to 1,3 l/s
- Multiples available for higher flows
- 100% clean with every backwash
- Minimal loss of fluid for backwash
- Suitable for pressures up to 8 bar*
- Easy to install
- User friendly low voltage control systems, with low current draw
- Easy to maintain
- 5 year guarantee on filter elements

Suitable Applications

- Domestic and light commercial use
- Rain and grey water
- Pre-filtration
- Nozzle protection
- Potable water

The Range



Manual

The EasyClean Manual is a simple, inexpensive yet effective means of low flow rate filtration. Cleaning is achieved by removing the element from its housing and washing it by hand. An excellent solution for applications where pressure for self cleaning is not available.

Valve

The EasyClean Valve offers a way of backwashing quickly and effectively with minimum interruption of flow. A simple 90° turn of the valve handle brings about a thorough backwash in seconds using an insignificant quantity of liquid.

Auto

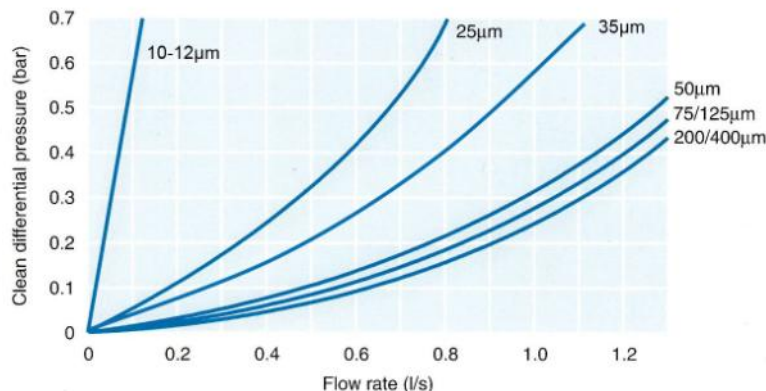
The EasyClean Auto presents a fully automatic, self cleaning filter comprising controller, pressure vessel, actuator and housed element. The controller can be programmed to meet specific application requirements by altering backwash duration and frequency.

Higher Flow Rates



The EasyClean Range can handle higher flow rates by a simple build up of individual units in parallel.

EasyClean Performance



Note: Detailed flow curves available on request.

Specification

Materials

Filter Coil	Stainless steel 304 to aircraft quality DTD 734, and 316 grade.
Filter Cage	Glass filled polypropylene and stainless steel
Filter Housing	SAN
Adaptor	Virgin polypropylene
Seals	Nitrile rubber
Housing Top	Polypropylene with brass relief valve

Valve and Auto only

Pipework	22mm copper (Table X)
Pressure Tank	8 litre - butyl liner in coated steel
Valve	3/4" BSP three way ball valve

Auto only

Actuator	Nylon and coloured ABS
----------	------------------------

All materials suitable for potable water

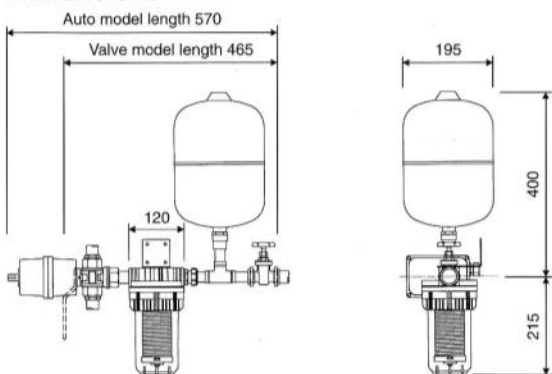
Connections Manual

Inlet	3/4" BSP threaded female
Discharge	3/4" BSP threaded female

Valve and Auto only

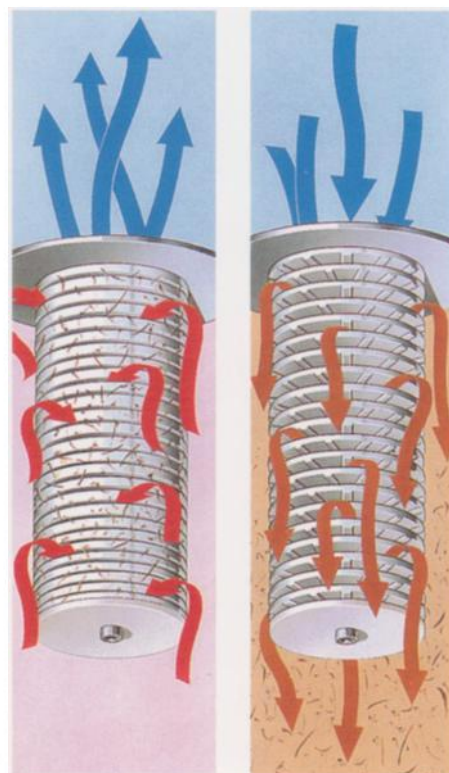
Inlet	3/4" BSP threaded female
Backwash	3/4" BSP threaded female
Discharge	22mm compression fitting

Dimensions



*Other materials are available for higher pressures and/or temperatures

100% Cleaning with Every Backwash



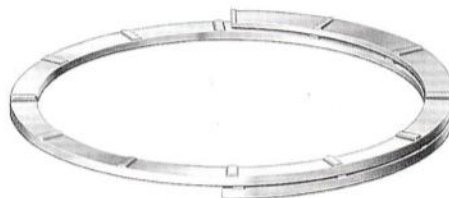
Filtering

Backwashing

The zero gravity coil design enables filter elements to be completely cleaned with every backwash, minimising backwash frequency and water consumption.

Filtration Ratings

Filter elements are available in ten different micron ratings: 10, 20, 25, 35, 50, 75, 100, 150, 200 and 400µm and are completely interchangeable. In some heavily contaminated systems, it may be advantageous to install a set of coarse or 'commissioning' elements in the early stages of the filter operation and replace them with finer elements at a later stage once the backwash frequency has stabilised.



TC Filters Limited

Bath
 England
 Tel : 07512 897900
 E-mail : sales@tcfilters.co.uk
 Web : www.tcfilters.co.uk

Distributed by:



High Efficiency Filters